

STATIC LOAD TEST

APPENDIX B – GRAPHS

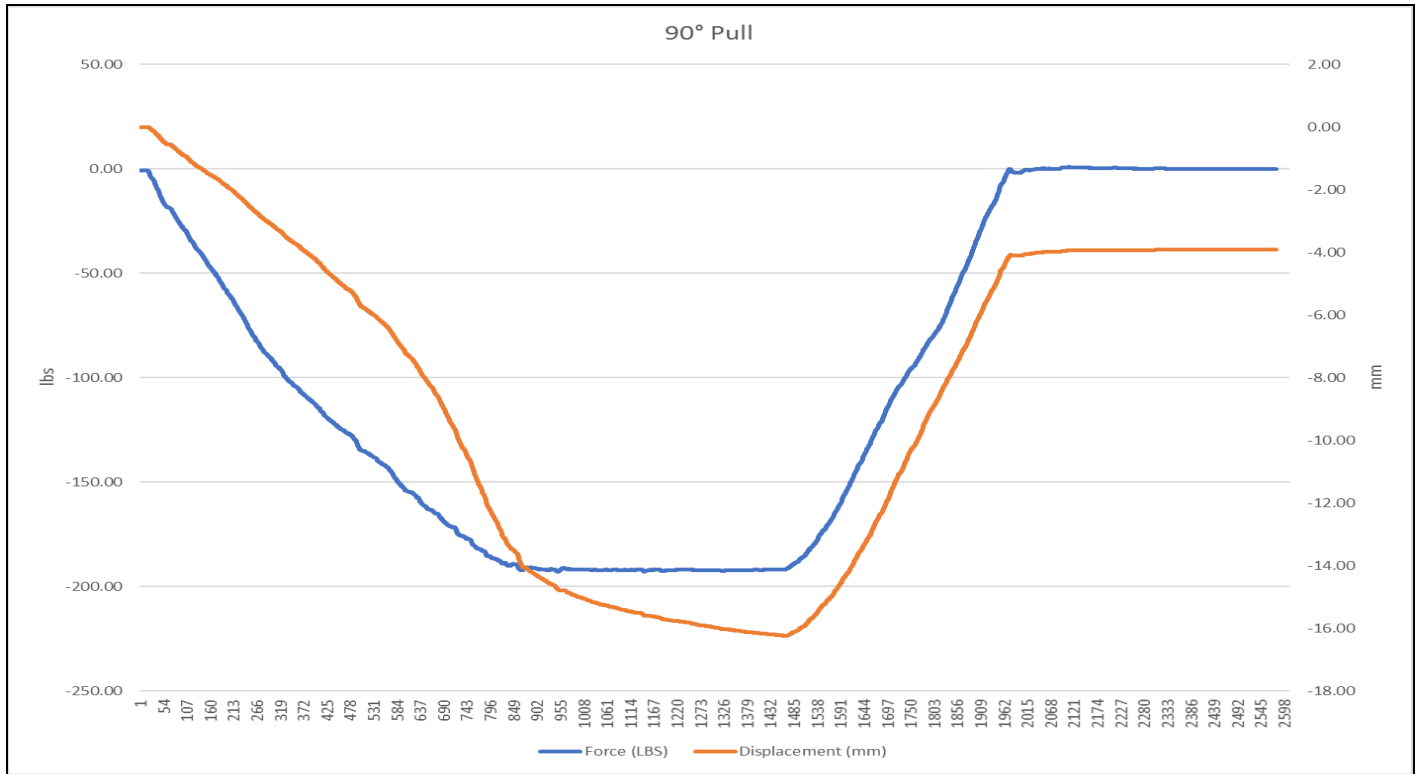


Figure 1: 90° Pull – Force and Displacement vs. Time

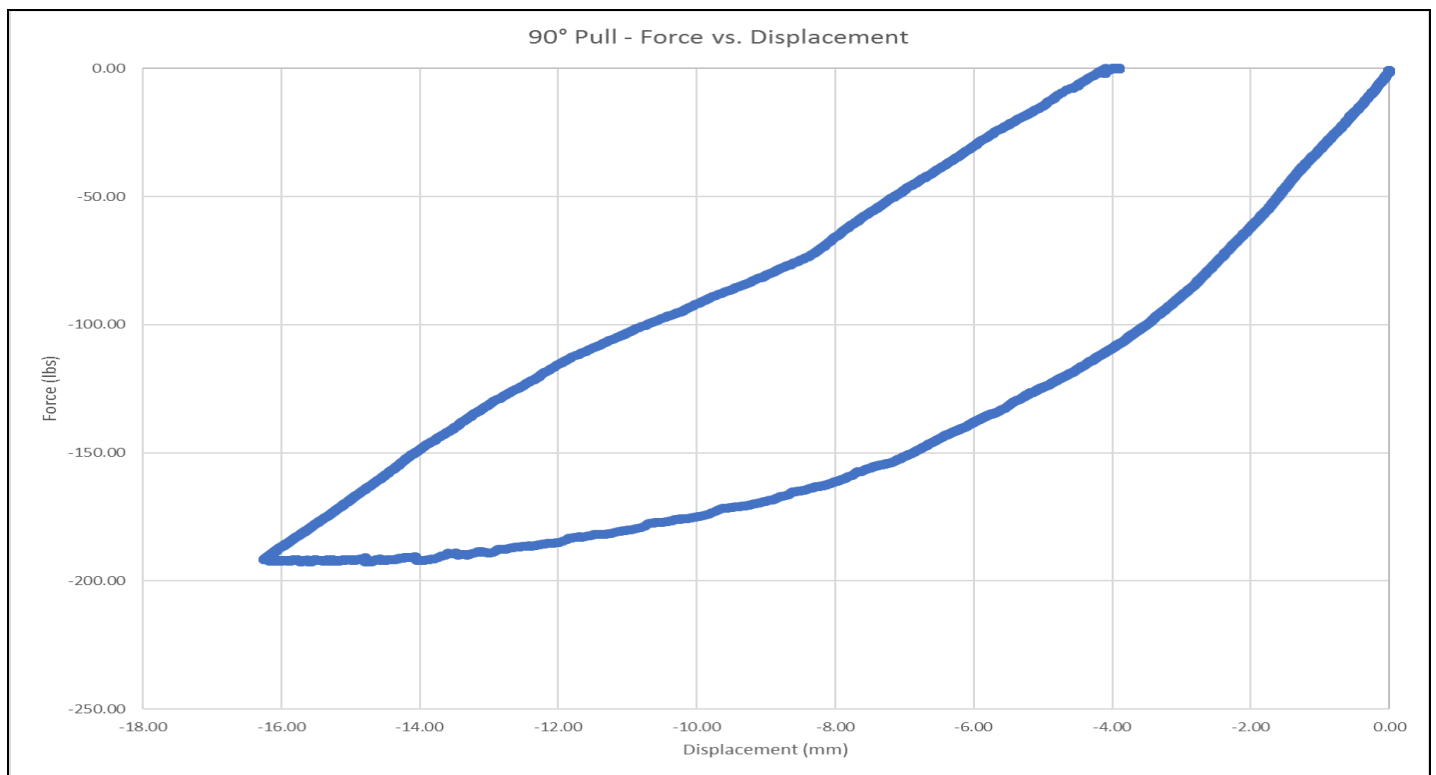


Figure 2: 90° Pull – Force vs. Displacement

STATIC LOAD TEST

APPENDIX B – GRAPHS (cont'd)

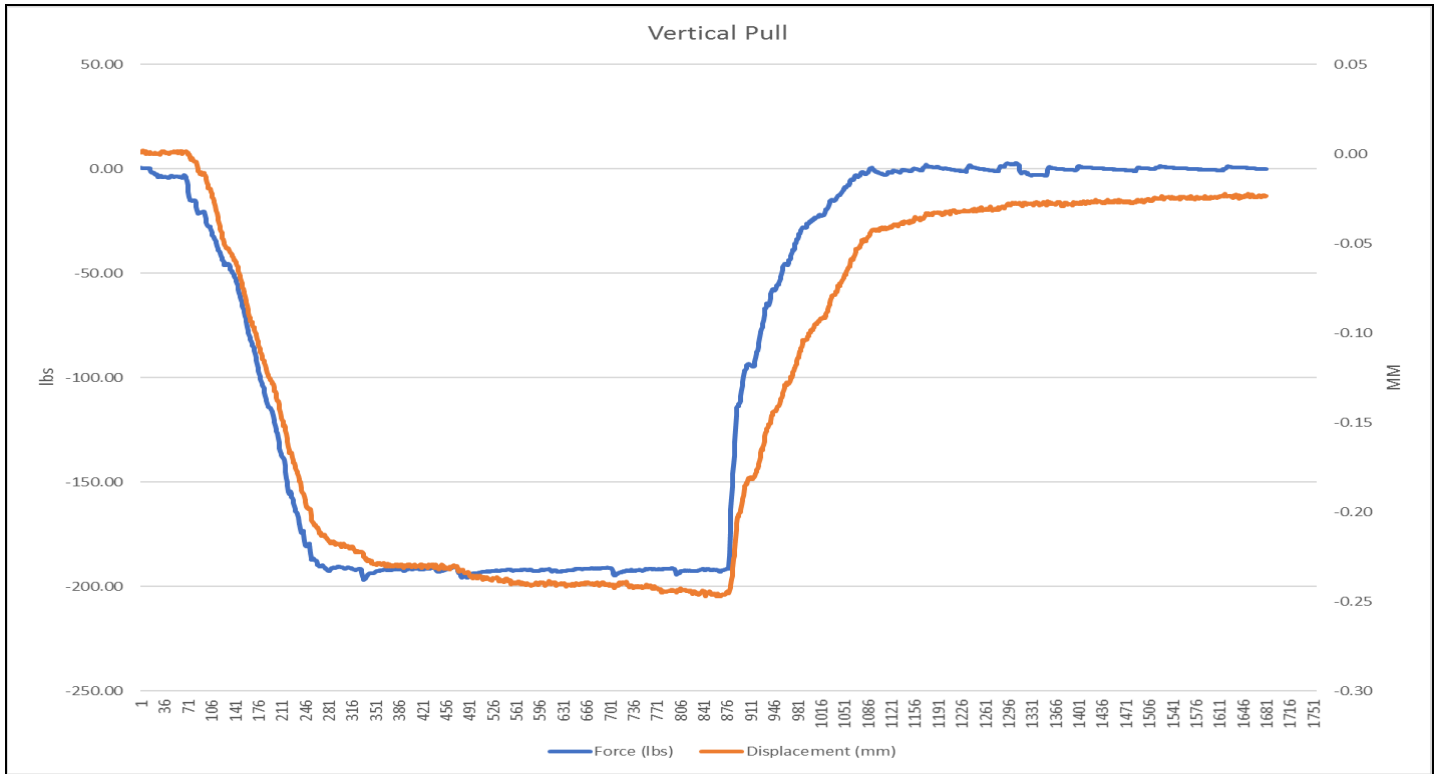


Figure 3: Vertical Pull - Force and Displacement vs. Time

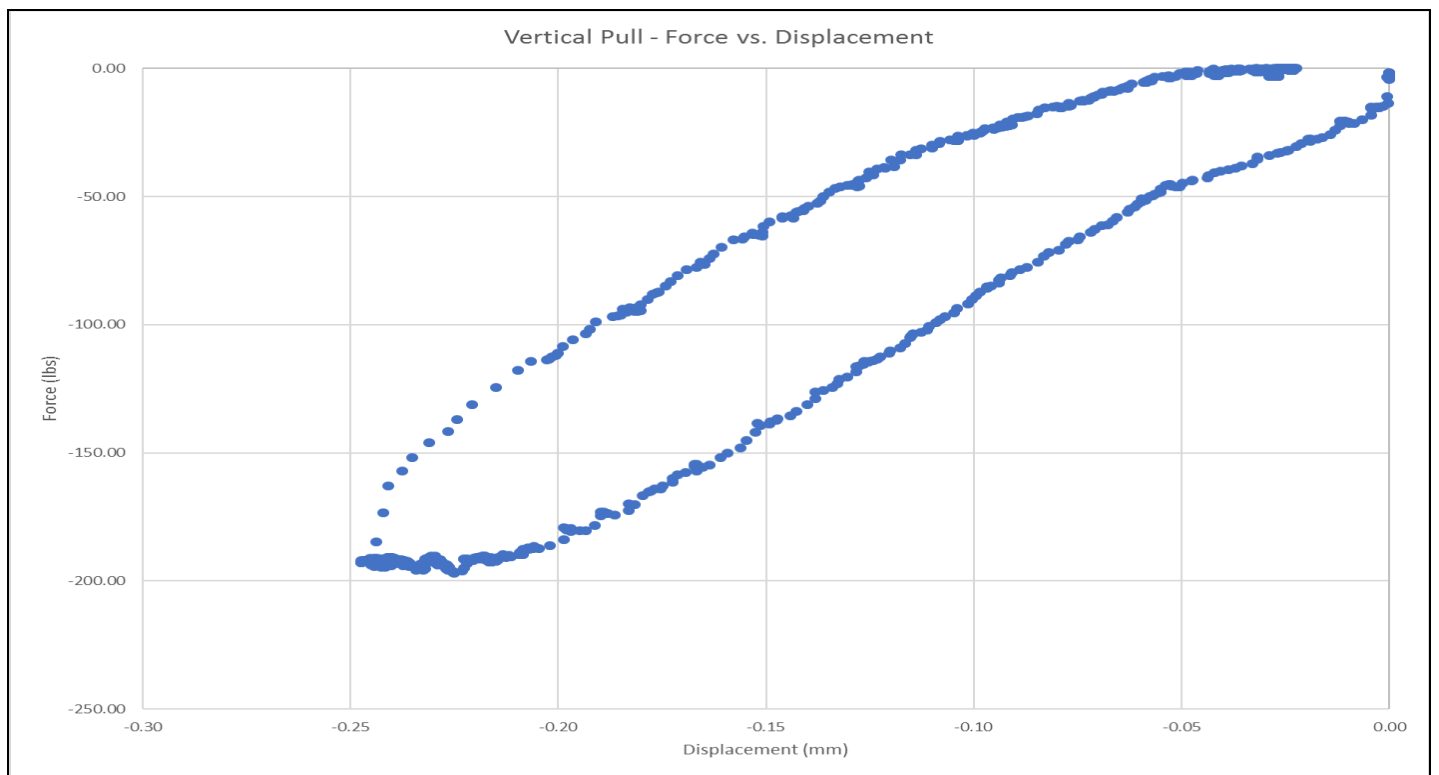
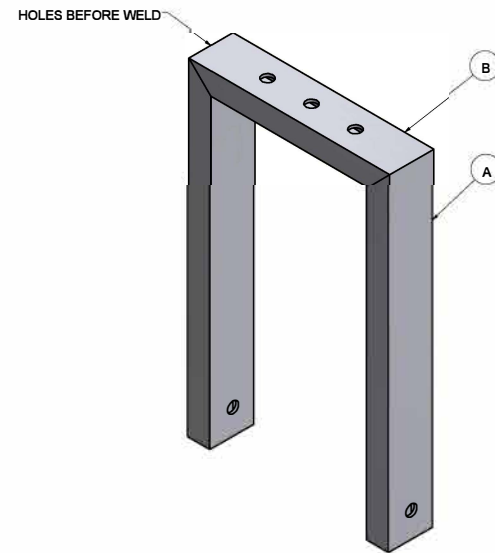
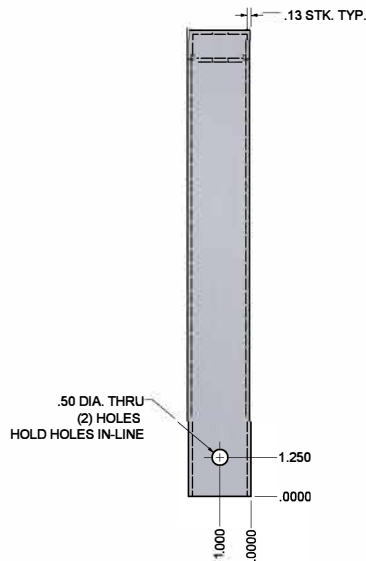
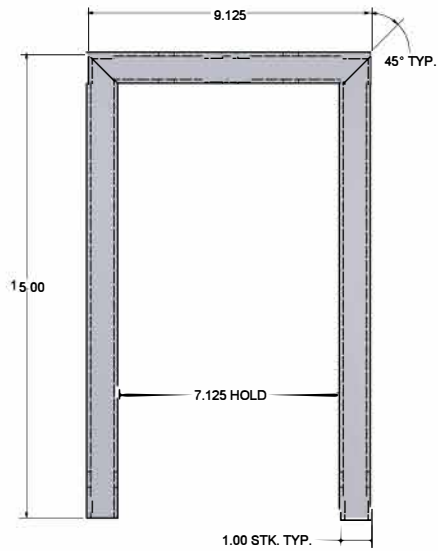
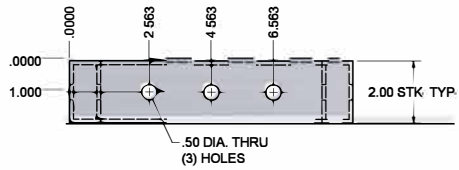


Figure 4: Vertical Pull – Force vs. Displacement



APPROX WEIGHT: 2 lbmass



Joseph Productions Inc.
34525 Glendale St.
Livonia, MI 48150